

UNLESS OTHERWISE SPECIFIED:
 DIMENSIONS ARE IN MILLIMETERS
 SURFACE FINISH:
 TOLERANCES:
 LINEAR:
 ANGULAR:

FINISH:

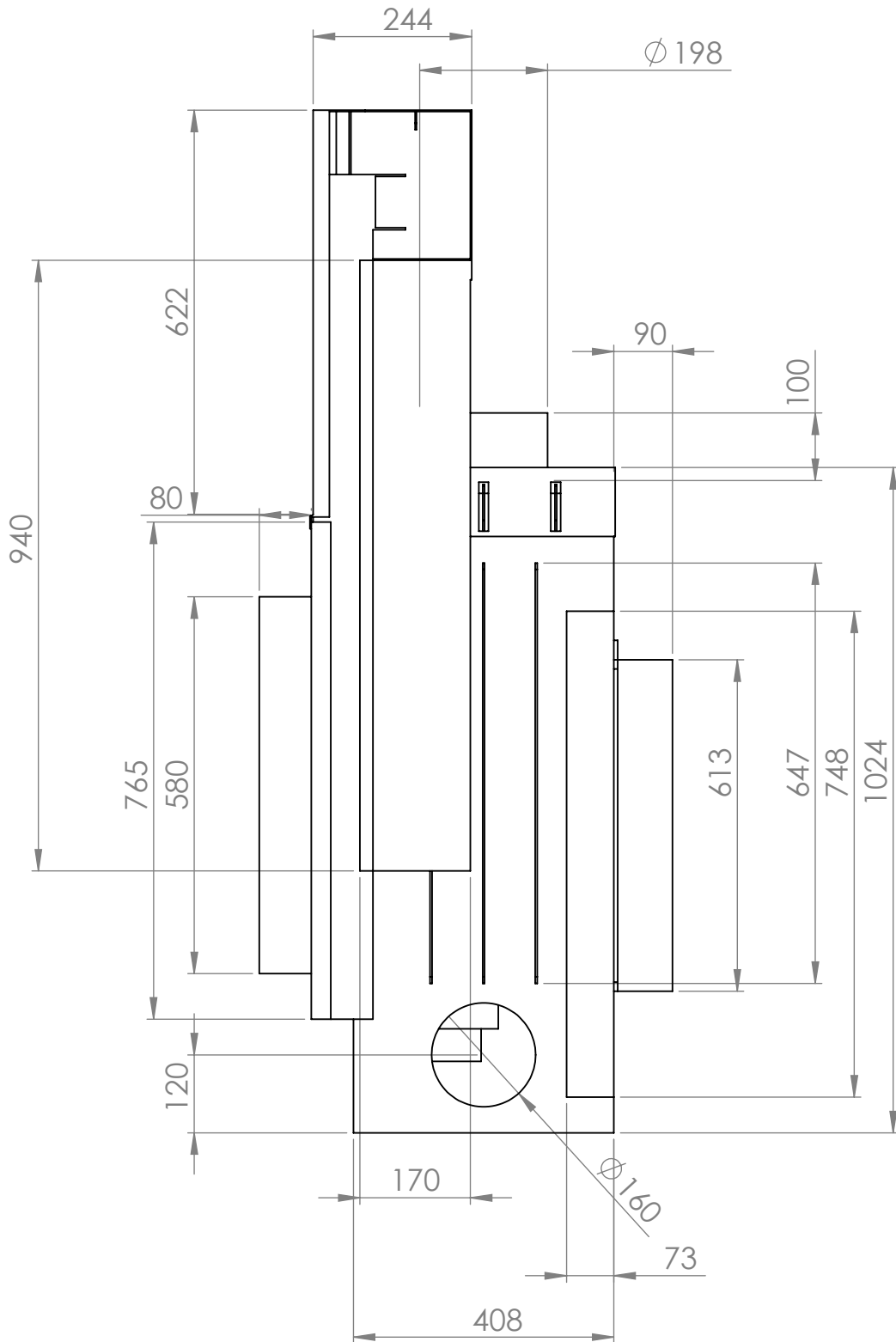
DEBUR AND
 BREAK SHARP
 EDGES

DO NOT SCALE DRAWING

REVISION

| | NAME | SIGNATURE | DATE | | |
|--------|------|-----------|------|-----------|--|
| DRAWN | | | | | |
| CHK'D | | | | | |
| APPV'D | | | | | |
| MFG | | | | | |
| Q.A | | | | MATERIAL: | |
| | | | | WEIGHT: | |

| | | |
|------------|----------------------------|----|
| TITLE: | <h1>Laura kamin tunel</h1> | |
| DWG NO. | | |
| SCALE:1:20 | SHEET 1 OF 1 | A4 |



UNLESS OTHERWISE SPECIFIED:
 DIMENSIONS ARE IN MILLIMETERS
 SURFACE FINISH:
 TOLERANCES:
 LINEAR:
 ANGULAR:

FINISH:

DEBUR AND
 BREAK SHARP
 EDGES

DO NOT SCALE DRAWING

REVISION

| | NAME | SIGNATURE | DATE | | |
|--------|------|-----------|------|-----------|--|
| DRAWN | | | | | |
| CHK'D | | | | | |
| APPV'D | | | | | |
| MFG | | | | | |
| Q.A | | | | MATERIAL: | |
| | | | | | |
| | | | | WEIGHT: | |

TITLE:

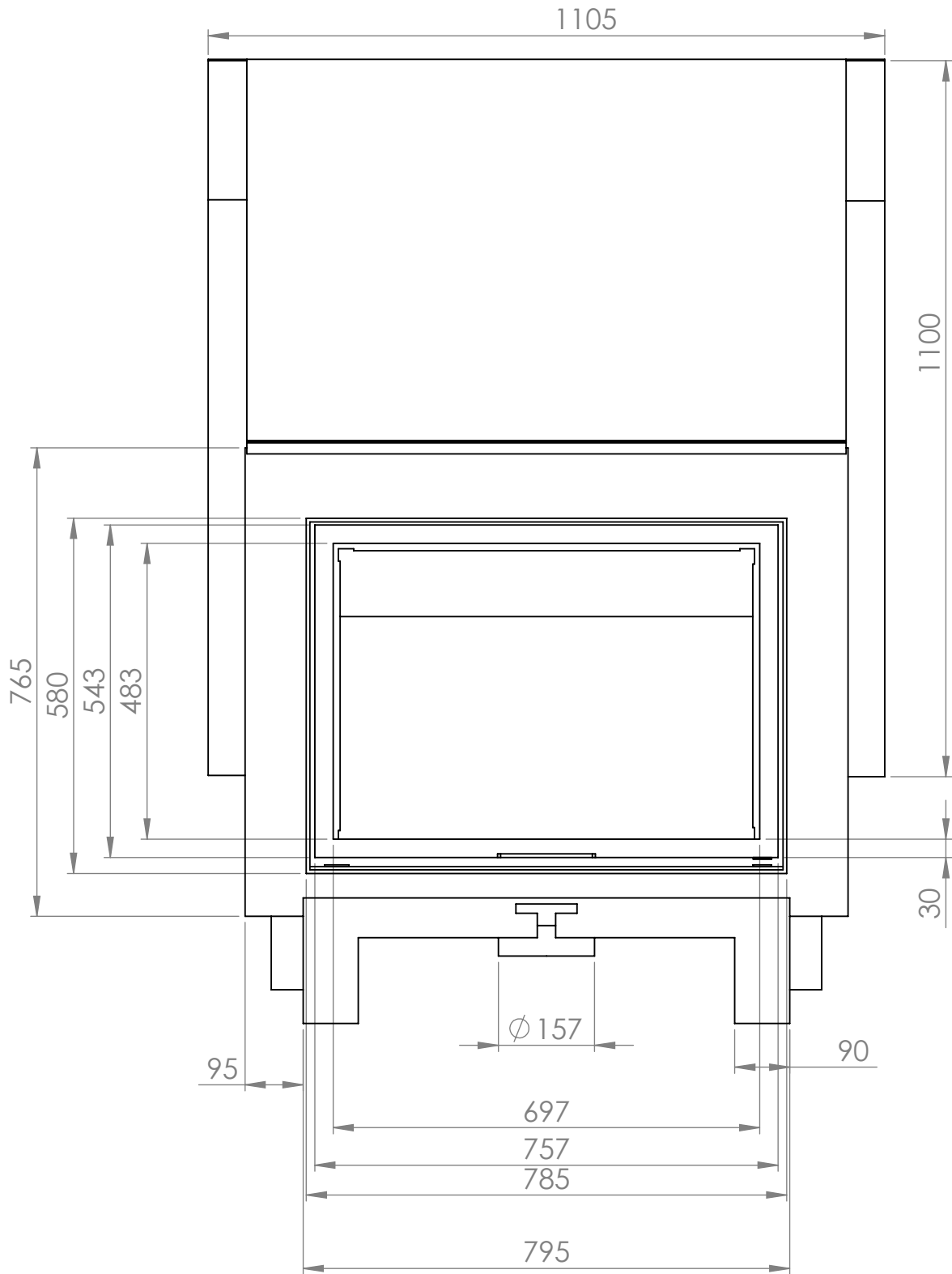
Laura kamin tunel

DWG NO.

A4

SCALE:1:20

SHEET 1 OF 1



UNLESS OTHERWISE SPECIFIED:
 DIMENSIONS ARE IN MILLIMETERS
 SURFACE FINISH:
 TOLERANCES:
 LINEAR:
 ANGULAR:

FINISH:

DEBUR AND
 BREAK SHARP
 EDGES

DO NOT SCALE DRAWING

REVISION

| | NAME | SIGNATURE | DATE | | |
|--------|------|-----------|------|-----------|--|
| DRAWN | | | | | |
| CHK'D | | | | | |
| APPV'D | | | | | |
| MFG | | | | | |
| Q.A | | | | MATERIAL: | |
| | | | | WEIGHT: | |

TITLE:

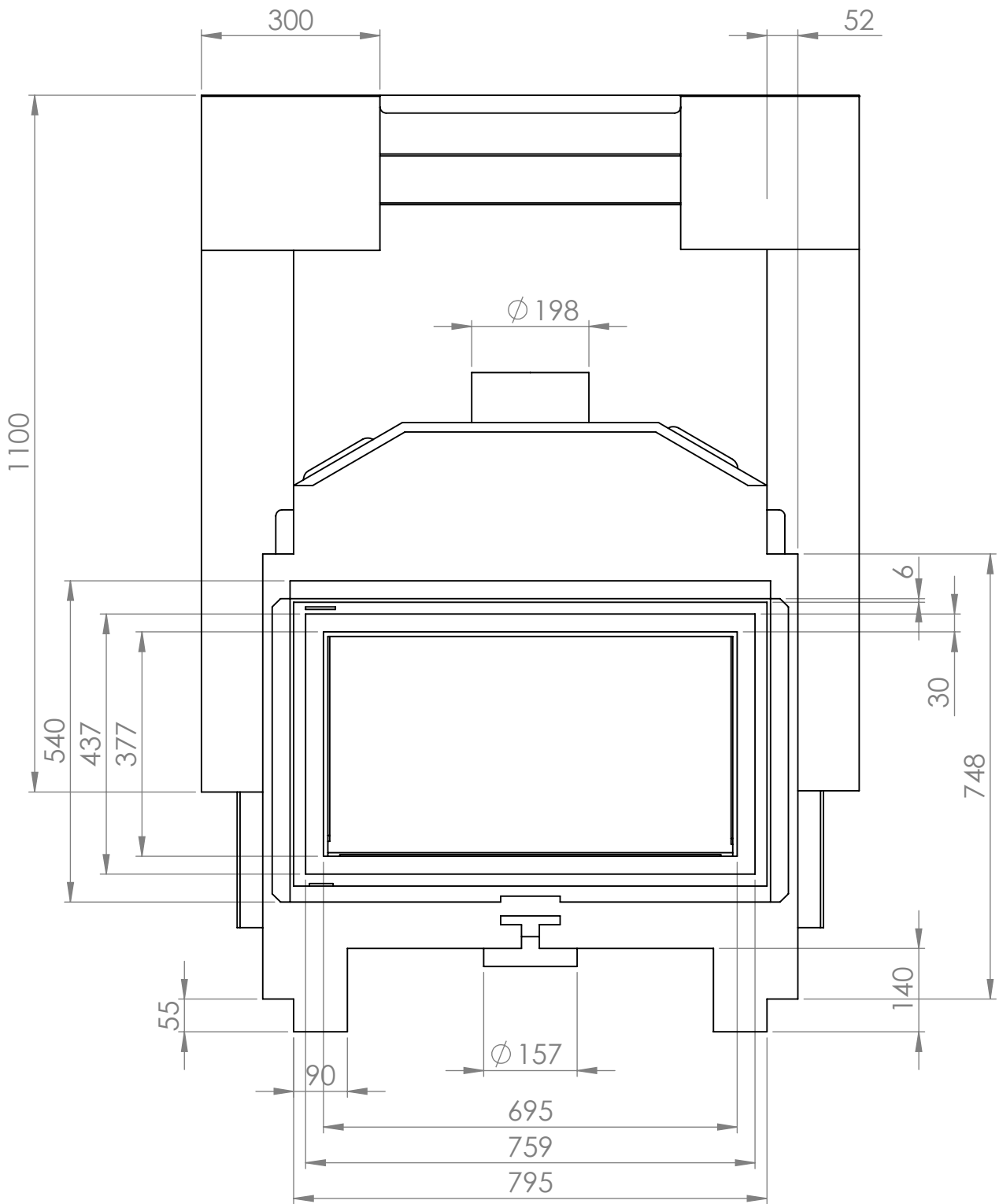
Laura kamin tunel

DWG NO.

A4

SCALE:1:20

SHEET 1 OF 1



UNLESS OTHERWISE SPECIFIED:
 DIMENSIONS ARE IN MILLIMETERS
 SURFACE FINISH:
 TOLERANCES:
 LINEAR:
 ANGULAR:

FINISH:

DEBUR AND
 BREAK SHARP
 EDGES

DO NOT SCALE DRAWING

REVISION

| | NAME | SIGNATURE | DATE | | |
|--------|------|-----------|------|-----------|--|
| DRAWN | | | | | |
| CHK'D | | | | | |
| APPV'D | | | | | |
| MFG | | | | | |
| Q.A | | | | MATERIAL: | |
| | | | | WEIGHT: | |

TITLE:

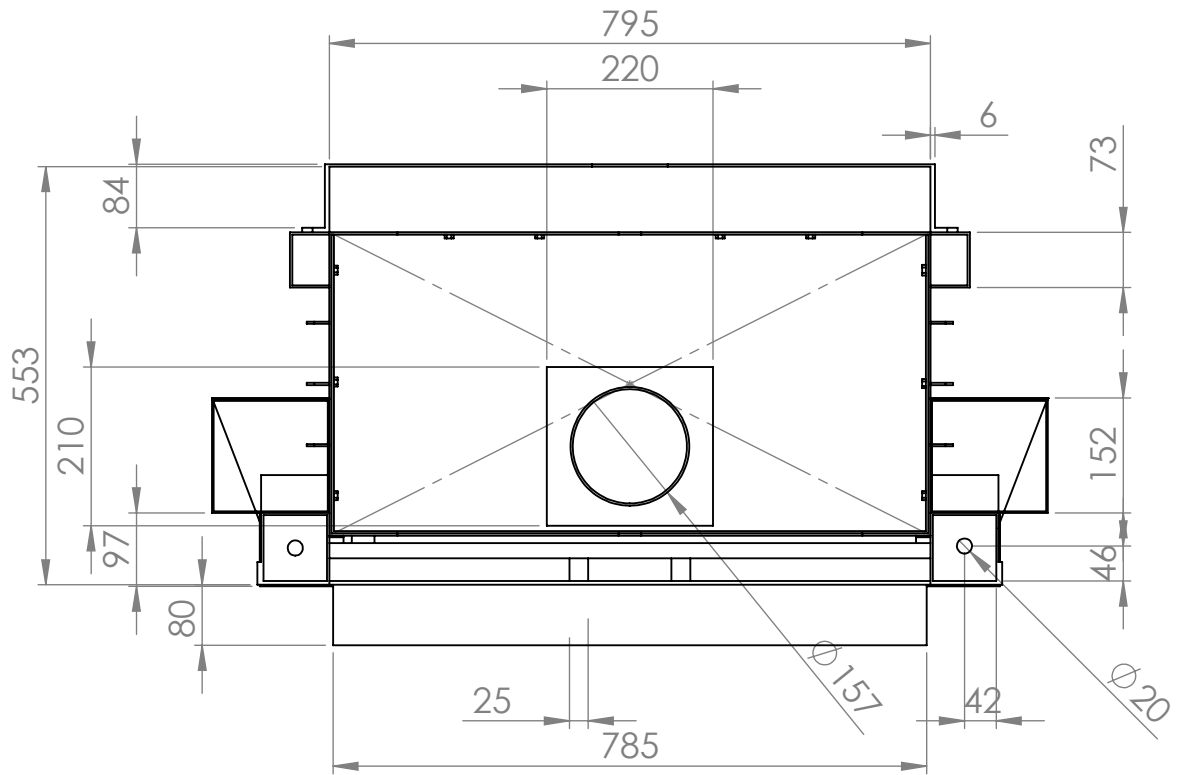
Laura kamin tunel

DWG NO.

A4

SCALE:1:20

SHEET 1 OF 1



UNLESS OTHERWISE SPECIFIED:
 DIMENSIONS ARE IN MILLIMETERS
 SURFACE FINISH:
 TOLERANCES:
 LINEAR:
 ANGULAR:

FINISH:

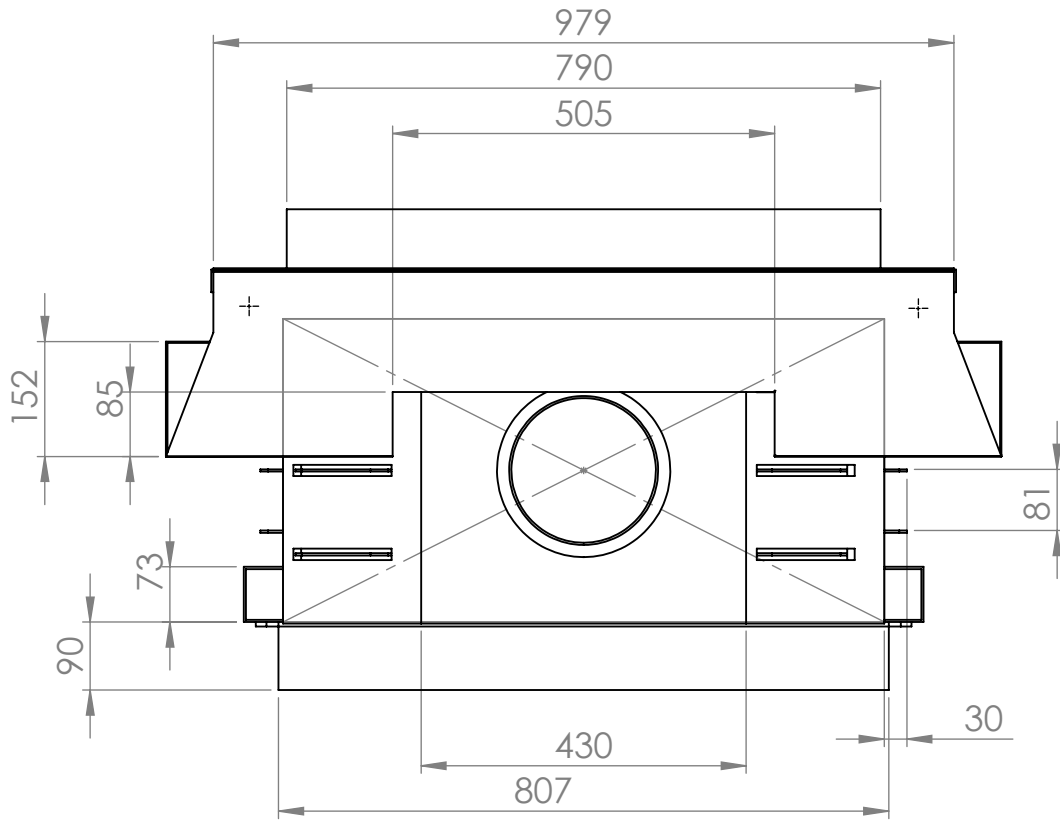
DEBUR AND
 BREAK SHARP
 EDGES

DO NOT SCALE DRAWING

REVISION

| | NAME | SIGNATURE | DATE | | |
|--------|------|-----------|------|-----------|--|
| DRAWN | | | | | |
| CHK'D | | | | | |
| APPV'D | | | | | |
| MFG | | | | | |
| Q.A | | | | MATERIAL: | |
| | | | | WEIGHT: | |

| | | |
|------------|----------------------------|----|
| TITLE: | <h1>Laura kamin tunel</h1> | |
| DWG NO. | | |
| SCALE:1:20 | SHEET 1 OF 1 | A4 |



UNLESS OTHERWISE SPECIFIED:
 DIMENSIONS ARE IN MILLIMETERS
 SURFACE FINISH:
 TOLERANCES:
 LINEAR:
 ANGULAR:

FINISH:

DEBUR AND
 BREAK SHARP
 EDGES

DO NOT SCALE DRAWING

REVISION

| | NAME | SIGNATURE | DATE | | |
|--------|------|-----------|------|-----------|--|
| DRAWN | | | | | |
| CHK'D | | | | | |
| APPV'D | | | | | |
| MFG | | | | | |
| Q.A | | | | MATERIAL: | |
| | | | | WEIGHT: | |

| | | |
|------------|----------------------------|----|
| TITLE: | <h1>Laura kamin tunel</h1> | |
| DWG NO. | | |
| SCALE:1:20 | SHEET 1 OF 1 | A4 |